

HEAVY DUTY GUARD RAIL

Handle-It® Safety Guard Rail is manufactured from 10 gauge steel, making it a heavy duty solution for guarding from fork truck impacts.

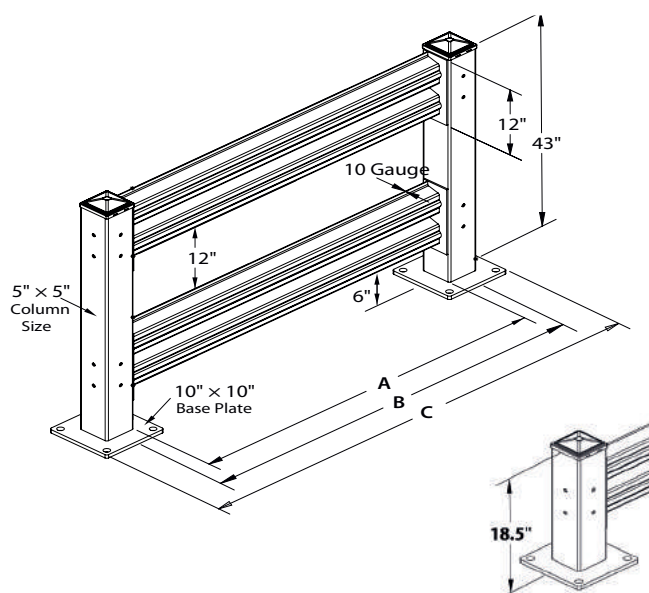
Guard Rail is designed to create a barrier around machinery, stock, workstations, in-plant offices, water mains, mezzanines, and pedestrian walkways.

Features & Benefits

- Tested to withstand impacts of 10,000lbs at 4 mph
- Posts have pre-tapped holes on all four sides. Enables 90° turns without additional hardware or special posts
- Steel caps, floor anchors, and bolts included
- Columns are 4.75" x 4.75" square steel tube on 10" x 10" base plate. Center, offset, or corner footplates available
- Guard rail is powder coated for a durable finish
- 43" tall double rails or 18" tall single rails
- Standard product stocked, custom lengths avail.



Double Rail System



Single Rail System

Guard Rail Dimensions

Part	A	B	C
	Rail Length	Center to Center of Columns	Outside to Outside of Base Plates
GR-10	115"	120"	130"
GR-9	103"	108"	118"
GR-8	91"	96"	106"
GR-7	79"	84"	94"
GR-6	67"	72"	82"
GR-5	55"	60"	70"
GR-4	43"	48"	58"
GR-3	31"	36"	46"
GR-2	19"	24"	34"

Note:

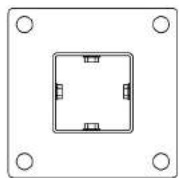
- Add 1" to overall dimension (B or C) if Lift Out Adapters or Down Guard Adapters are being used
- Add 1.5" to dimensions B or C if adding Hinge or Gate



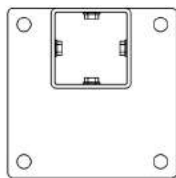
Ordering Information

Model Number	Description	Weight (lbs.)	Rail Thickness	Rail Height
Guard Rail				
10 Gauge				
GR-10	10' Rail	74	1/8"	12"
GR-9	9' Rail	67	1/8"	12"
GR-8	8' Rail	60	1/8"	12"
GR-7	7' Rail	55	1/8"	12"
GR-6	6' Rail	46	1/8"	12"
GR-5	5' Rail	41	1/8"	12"
GR-4	4' Rail	32	1/8"	12"
GR-3	3' Rail	25	1/8"	12"
GR-2	2' Rail	18	1/8"	12"
Standard Columns				
CS-1	Single Rail Column	31		
CS-2	Double Rail Column	52		
CS-3	Triple Rail Column	52		
Special Options				
LOA	Lift-Out Adapter (Pair)	12		
DGA	Down Guard Adapter	13		
AA-45	Angle Adapter	12		
SG-3654A	Adj. Self Closing Ped. Gate	37		
CSC-1	Single Rail Corner Column	31		
CSO-1	Single Rail Offset Column	31		
CSC-2	Double Rail Corner Column	52		
CSO-2	Double Rail Offset Column	52		

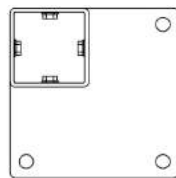
All assembly and 3/4" anchoring hardware and caps included. Bolt holes located on all four sides of the column.



Standard Column (CS)



Offset Column (CSO)



Corner Column (CSC)

Guard Rail Special Options



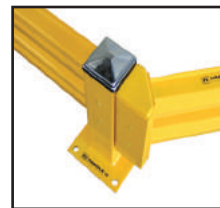
Lift-Out Adapter

To access equipment or space behind the guard rail system, Lift-Out Adapters are available. These adapters use slot assemblies on the columns to allow the rails to be removed and then dropped back into place.



Down Guard Adapter

Holds the bottom rail down to the column base plates and closes the gap between the bottom of the rail and the floor. Provides low-height protection that is easily removed.



45° Angle Adapter

Allows a guard rail system to closely follow the contour of what is being protected while maximizing floor space.



Adj. Self-Closing Pedestrian Gate

Adjustable self closing pedestrian gate attaches to our guard rail columns. It has a width range of 36"-54" and is useful in walkways.

Protection Equipment Specification

To ensure proper protection, consider the following:

- Measure the overall length of the area to be protected.
- Is there a protruding object or other unusual configuration to measure? (i.e. going around corners, etc.)
- Is this a single, double, or triple-high rail application?
- Placing protection equipment a minimum of 12" in front of what you're protecting is required to achieve the proper protection.

Handle It also offers: Rack Guards • Steel Bollards • Floor Mounted Barrier • Stretch Wrappers • Pallet Jacks