

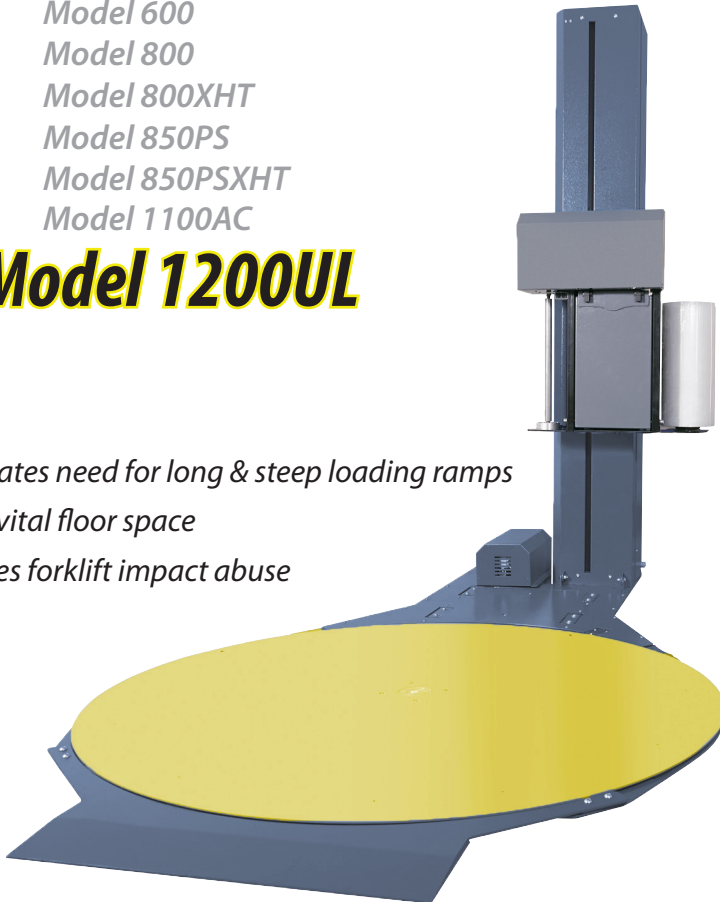


HANDLE-IT® SA Series

Model 600
Model 800
Model 800XHT
Model 850PS
Model 850PSXHT
Model 1100AC

Model 1200UL

- Eliminates need for long & steep loading ramps
- Saves vital floor space
- Reduces forklift impact abuse



Part Number: SWM-SA-1200UL

Full Set of Functions & Options

Power Pre-Stretch Carriage

Patented Ultra Low Frame Less than 3/4" from the floor!

Technical Specifications

Max Wrap Height	86"
Turntable Diameter	59"
Max Pallet Size	48" x 80" (93" Diagonal)
Turntable Height	less than 3/4" (.71")
Weight Capacity	3,300 lbs
Pre-Stretch	250% Powered
Power Supply	110V, 10 Amp
Total Machine Footprint	111" L x 60" W x 95" H
Machine Weight	1200 lbs
Turntable Speed	12 RPM

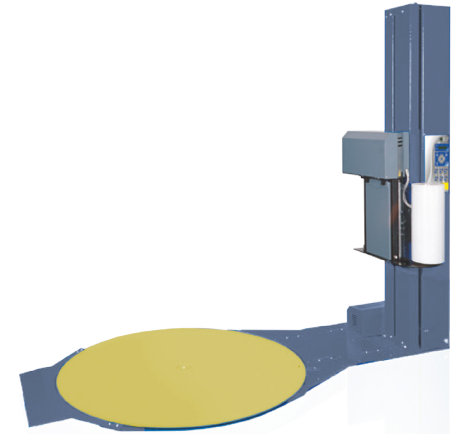
Handle-It® Model 1200UL

The Handle-It® Model 1200UL offers top-of-the-line functions and features at a great price. It is ideal for those who are looking for an efficient machine capable of handling high volumes of pallets per day. This model is especially suited where space is a premium.

Standard features on the 1200UL include a patented ultra low frame, 250% powered pre-stretch, user-friendly PLC control panel, braked turntable, and many other elements cleverly designed to make this unit a must-have in any facility looking to improve and streamline their packaging operations.

HANDLE-IT®*Semi-Automatic Stretch Wrapper***Product Specifications**

- User-friendly integrated PLC control board
- Frequency controller for carriage and/or turntable speed adjustment
- Photocell for pallet height detection or custom set height
- Safety stop at the base of the carriage
- Stop at home position
- Easily adjustable parameters such as bottom wraps, top wraps, carriage ascent & descent speed, film tension, & starting wrap height
- Quick selection of 6 main parameters or saved programs
- USB port to upload software and download settings, reports, and statistics
- 6 working cycles: ascent/descent, topsheet, only ascent, only descent, layers, and stack
- 3 working modes: semimanual, semiautomatic, or fixed height
- Storage of 32 end user programs
- Acoustic warning at the cycle start and stop
- On-board diagnostics
- Wrapped pallet counter
- Braked turntable at end of cycle
- 59" diameter turntable loading surface
- Up to 12 RPM turntable speed
- 3,300 lb maximum load weight
- 48" x 80" (93" diagonal) max. pallet size *ensure area is clear for over-swing*
- Up to 250% film pre-stretch with electronic power pre-stretch motor
- 3 year warranty

Model 1200UL

Patented Ultra Low Frame

Belt driven pre-stretch carriage for added reliability

Rack and pinion carriage system vs. traditional chain driven to increase durability

1200UL PLC Control Panel



Power Pre-Stretch Carriage

**Available Options**

- Auto Film Cut
- Adjustable Power Pre-Stretch up to 600%
- Roping System
- 118" Max Wrap Height
- Remote Control
- Top Press
- Photocell for Dark Loads
- Film usage diagnostics