

CORNER COLUMN PROTECTOR

Handle-It® Column Protectors are designed as an economical way to protect racking from manually transferred materials. Installation is easy and can be used in many rack protecting applications. Handle-It® yellow powder-coated paint makes the post protector easily seen.

Features and Benefits

- Handle-It® Column Protectors help prevent damage to rack uprights, shelving uprights, partitions, and many other factory and warehouse structures.
- These heavy steel protectors provide a low cost method of reducing damage to expensive equipment and protecting personnel from falling rack structures hit by moving machinery.
- Handle-It® Column Protectors wrap around the vertical member to be protected, closely fitting- yet protecting- the upright from damage from collisions with forklifts or other moving vehicles.
- These heavy duty 1/4" thick steel protectors are easily mounted by securing to the concrete floor using two 1/2" diameter wedge anchors (supplied as optional purchase).
- A variety of standard heights are available with custom heights available on special order.
- Handle-It® Column Protectors are painted in safety yellow with a hard powder coat finish for a durable and attractive appearance.

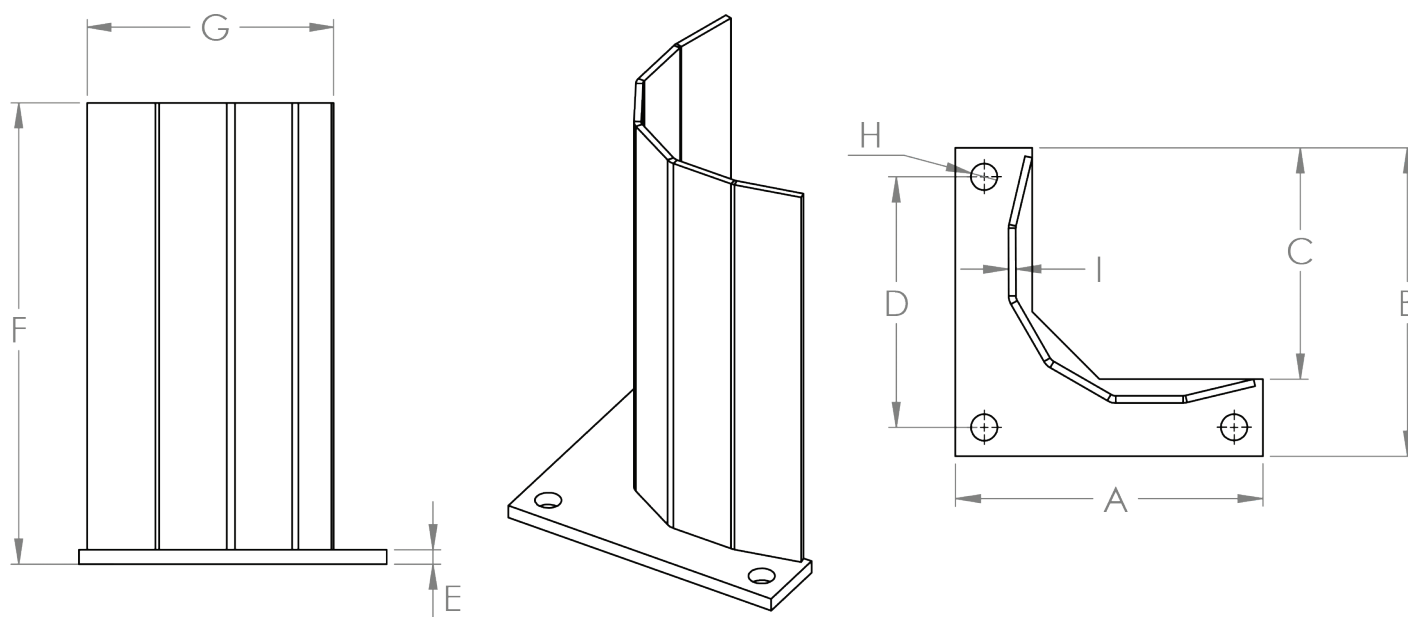
Guarantee and Warranty

Personal and professional customer service is offered on all Handle-It® Column Protectors. Our Column Protection carries a one-year limited warranty on all materials and workmanship.



Corner Column Protector

CORNER COLUMN PROTECTOR DIMENSIONS



Part	A	B	C	D	E	F	G	H	I
	Base Plate Length	Base Plate Width	Inside Width	Hole to Hole	Base Plate Thickness	Overall Height	Guard Width	Anchor Hole Diam.	Guard Thickness
CCP12	8"	8"	6"	6.5"	1/4"	12"	6.41"	3/4"	1/4"
CCP18	8"	8"	6"	6.5"	1/4"	18"	6.41"	3/4"	1/4"
CCP24	8"	8"	6"	6.5"	1/4"	24"	6.41"	3/4"	1/4"
CCP36	8"	8"	6"	6.5"	1/4"	36"	6.41"	3/4"	1/4"
CCP42	8"	8"	6"	6.5"	1/4"	42"	6.41"	3/4"	1/4"

Corner Column Protector Selection Guide

In order to select the correct size:

- Select desired height (refer to column F).
- Place protection equipment as close as possible while still providing an adequate barrier in front of what is being protected to achieve proper installation.

Custom protection is our specialty. If your requirements are not listed in the above specifications, please contact us. Our design team will develop a quick and economical solution to your protection needs.