

# HANDLE·IT®

## GUARD RAIL

Provides maximum security against forklift accidents

Can take 10,000 lbs at 4 MPH with only 12" of deflection max

Easiest to install in the industry

## GUARD RAIL

### Features and Benefits

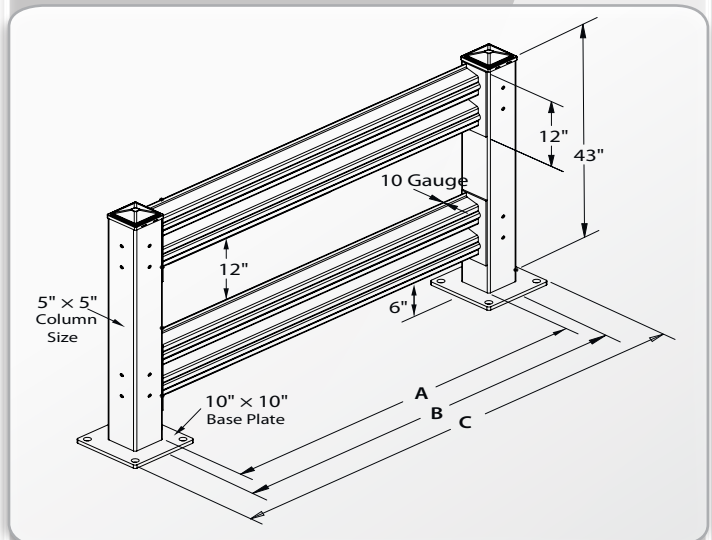
- Designed, tested and rated to withstand 10,000lbs at 4 MPH
- Smooth plastic plugs are provided to fill unused holes in columns; giving it a finished look
- Powdercoated safety yellow for high visibility and durability
- Columns are 4.75" x 4.75" steel square tubes mounted on a 10" x 10" base plate
- Hole sets are on all four sides of the column; enables 90 degree turns
- Anchoring and mounting hardware is included, which allows immediate installation
- In stock and same day shipping is available

### Options

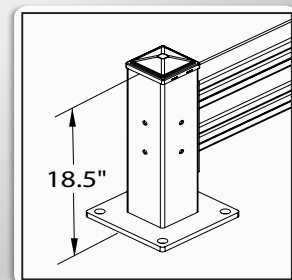
- Lift Out Adapter option allows for removable sections of guard rail
- Down Guard Adapter option provides floor-level protection
- Hinged Gate Assembly enables sections of rail to swing open. Makes protected area more easily accessible.
- Custom sizes can be made for the exact amount of protection required



Double Rail System



Single Rail System



### Guard Rail Dimensions

Part	A	B	C
	Rail Length	Center to Center of Columns	Outside to Outside of Base Plates
GR-10	115"	120"	130"
GR-9	103"	108"	118"
GR-8	91"	96"	106"
GR-7	79"	84"	94"
GR-6	67"	72"	82"
GR-5	55"	60"	70"
GR-4	43"	48"	58"
GR-3	31"	36"	46"
GR-2	19"	24"	34"

#### Note:

- Add 1" to dimensions B and C if Lift Out Adapter or Down Guard Adapter are being used
- Add 1.5" to dimensions B and C if using Hinge Option

# HANDLE-IT®

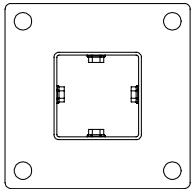
## GUARD RAIL

### Ordering Information

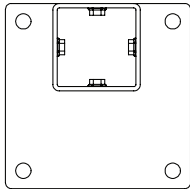
Model Number	Description	Weight (lbs.)	Rail Thickness	Rail Height
<b>Guard Rail</b>				
GR-10	10' Rail	74	1/8"	12"
GR-9	9' Rail	67	1/8"	12"
GR-8	8' Rail	60	1/8"	12"
GR-7	7' Rail	55	1/8"	12"
GR-6	6' Rail	46	1/8"	12"
GR-5	5' Rail	41	1/8"	12"
GR-4	4' Rail	32	1/8"	12"
GR-3	3' Rail	25	1/8"	12"
GR-2	2' Rail	18	1/8"	12"
<b>Standard Columns</b>				
CS-1	Single Rail Column	31		
CS-2	Double Rail Column	52		
CS-3	Triple Rail Column	52		
<b>Special Options</b>				
LOA	Lift-Out Adapter (Pair)	12		
DGA	Down Guard Adapter	13		
AA-45	Angle Adapter	12		
RH-2	Hinged Gate Assembly	12		
CSC-1	Single Rail Corner Column	31		
CSO-1	Single Rail Offset Column	31		
CSC-2	Double Rail Corner Column	52		
CSO-2	Double Rail Offset Column	52		

All assembly and 3/4" anchoring hardware and caps included. Bolt holes located on all four sides of the column.

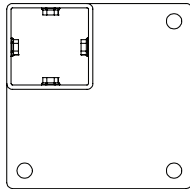
### Column Options



Standard Column (CS)



Offset Column (CSO)



Corner Column (CSC)

### Guard Rail Special Options



#### Lift-Out Adapter

To access equipment or space behind the guard rail system, Lift-Out Adapters are available. These adapters use slot assemblies on the columns to allow the rails to be removed and then dropped back into place.



#### Down Guard Adapter

Holds the bottom rail down to the column base plates and closes the gap between the bottom of the rail and the floor. Provides low-height protection, especially against forklift forks.



#### 45° Angle Option

Allows a guard rail system to closely follow the contour of what is being protected, and maximizes the open floor space.



#### Hinged Gate Option

Enables access to equipment or space behind the guard rail system while rails remain attached to the columns. Adds convenience to a Guard Rail System.

### Protection Equipment Specification

To ensure proper protection, consider the following:

- Measure overall length of the area that is to be protected.
- Is there a protruding object or other unusual configuration to measure? (i.e. going around corners, etc.)
- Is this a single, double or triple-high rail application?
- Placing protection equipment a minimum of 12" in front of what you're protecting is required to achieve the proper protection.
- Do columns need to be offset on the base plate or is the column to be placed in the corner of the base plate?

### Areas of Installation

Guard rails are designed to protect in-plant offices, mezzanines, machinery, electrical panels, water mains, storage areas, and most importantly, personnel.

### Guarantee and Warranty

Personal and professional customer service is offered on all Handle-It Guard Rails. Our Guard Rail carries a one-year limited warranty on all materials and workmanship.