

HANDLE-IT®

TRACK GUARD

Easy Installation

Eliminates
Expensive Repairs

Protects without interfering
with dock operation

TRACK GUARD

Handle-It Track Guards are designed to protect overhead door tracking. Guards prevent damage and costly repairs to tracks caused by material handling equipment. Slant design eliminates a protruding point to keep workers safe. Product features highly visible yellow powder coat paint.

Features and Benefits

- Handle-It Track Guards help prevent damage to overhead door tracks more efficiently than conventional pipes imbedded into the concrete floor.
- These steel protectors provide a low cost method of reducing damage to overhead door tracks hit by moving vehicles.
- Handle-It Track Guards fasten to the floor and to the wall and wrap around the overhead door track on two sides, closely fitting yet protecting the track from damage from collisions with forklifts or other moving vehicles.
- These heavy duty 1/4" thick steel protectors are easily mounted by securing to the concrete floor using three 1/2" diameter wedge anchors (included) and to the wall using four wall anchors (not included)
- Handle-It Track Guards do not interfere with dock operation and eliminate dock downtime and expensive repairs to track.
- Tapered top edge to eliminate pinch point.
- 48" standard height is offered with custom heights also available on special order.
- Handle-It Track Guards are painted in safety yellow with a hard glossy finish for a durable, attractive appearance.

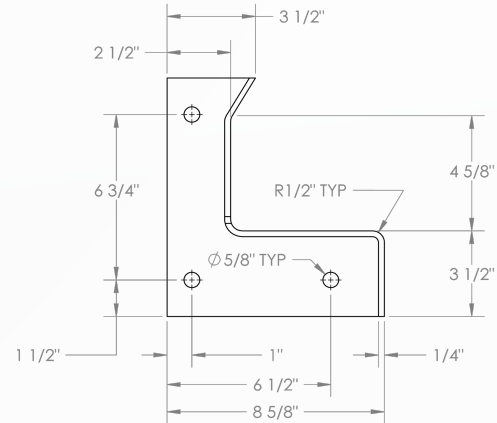
Guarantee and Warranty

Personal and professional customer service is offered on all Handle-It Track Guards. Our Track Guards carry a one-year limited warranty on all materials and workmanship.



Typical 48"
Track Guard

Top View Dimensions



Model Number	Description	Weight(Lbs.)
TG-24LH	24" High Left Track Guard	30
TG-24RH	24" High Right Track Guard	30
TG-48LH	48" High Left Track Guard	53
TG-48RH	48" High Right Track Guard	53

We specialize in custom protection. Let us design the equipment that fits your needs.