

# HANDLE·IT®

## FLOOR MOUNTED BARRIER

Quality  
Workmanship

Long-lasting  
Durability

Easy to Install  
and Operate

Designed for  
Safe Operation

## FLOOR MOUNTED BARRIER

Floor Mounted Barriers provide surface-level protection from forklifts and other moving equipment.

Barrier systems consist of guard sections from 3 feet to 10 feet long in 1-foot increments. The sections can be joined together to make a continuous desired length. Turns of 90 degrees are accommodated by joining two opposite 45-degree floor guards.

### Features and Benefits

- Various length floor mounted barrier sections can be put together to make continuous runs in 1 foot increments of length adjacent to item being protected
- Highly visible, yellow powder coat painted steel units provide a visible, durable, and attractive barrier
- Easy-to-use instructions allow the heavy duty steel guard sections to be installed correctly, using furnished ½" wedge anchors
- Barriers are designed to withstand impact from forklifts and other moving equipment
- Floor mounted barrier sections are constructed of sturdy 11 gauge steel formed into 12" high x 6" wide units
- Five strengthening gussets are welded to the back of 6–10 foot sections
- Sections are bolted together through matching vertical gussets and bolting with the supplied ¾" bolts
- Inside and outside corner adapters available in 45 degree increments

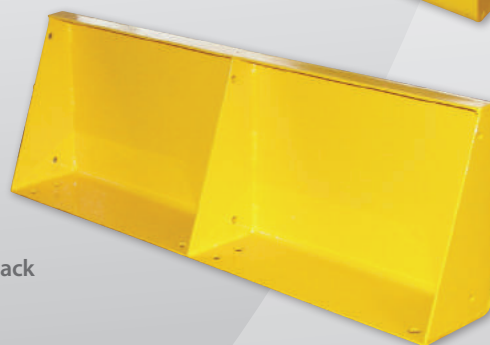
### Areas of Installation

Floor mounted barriers are designed to protect: conveyor systems, guided vehicle aisles, in-plant offices, pallet back stops, and more!

### Typical Floor Mounted Barrier

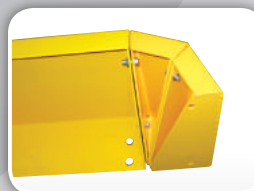


Front

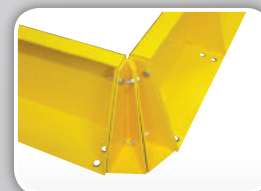


Back

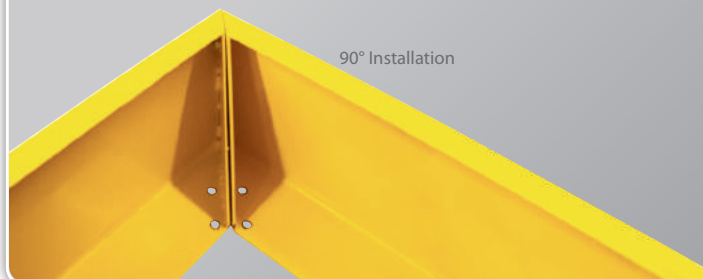
### 90° and reversible 45° angle installation



Outside Corner Adapter (CG-OC)

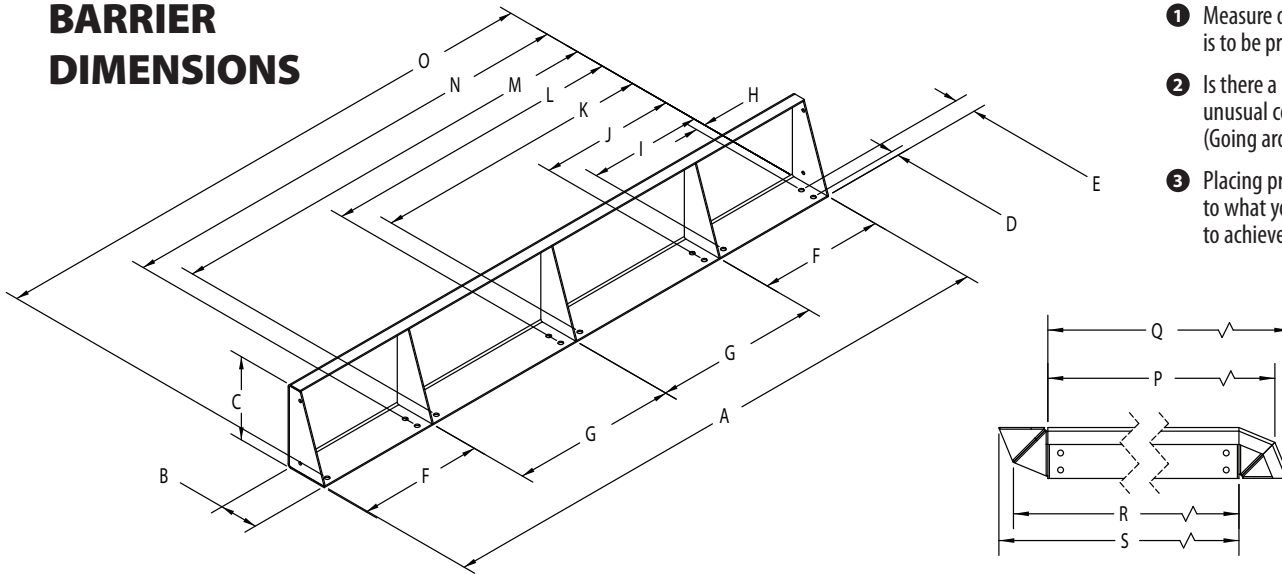


Inside Corner Adapter (CG-IC)



90° Installation

## BARRIER DIMENSIONS



- 1 Measure overall length of area that is to be protected.
- 2 Is there a protruding object or other unusual configuration to measure? (Going around corners)
- 3 Placing protection equipment adjacent to what you're protecting is required to achieve proper installation.

Part	# of Gussets	# of Anchors Provided	A Overall Length	B Width	C Height	D Outer Hole to Edge	E Inner Hole to Edge	F End to Gusset	G Gusset to Gusset	H End to 1st Holes	I End to 2nd Holes	J End to 3rd Holes	K End to 4th Holes	L End to 5th Holes	M End to 6th Holes	N End to 7th Holes	O End to Last Holes
CG-10	5	10	120"	6"	12"	1"	3"	18"	42"	1.5"	16.5"	19.5"	58.5"	61.5"	100.5"	103.5"	118.5"
CG-9	5	10	108"	6"	12"	1"	3"	18"	36"	1.5"	16.5"	19.5"	52.5"	55.5"	88.5"	91.5"	106.5"
CG-8	5	10	96"	6"	12"	1"	3"	18"	30"	1.5"	16.5"	19.5"	46.5"	49.5"	76.5"	79.5"	94.5"
CG-7	5	10	84"	6"	12"	1"	3"	18"	24"	1.5"	16.5"	19.5"	40.5"	43.5"	64.5"	67.5"	82.5"
CG-6	5	10	72"	6"	12"	1"	3"	18"	18"	1.5"	16.5"	19.5"	34.5"	37.5"	52.5"	55.5"	70.5"
CG-5	2	4	60"	6"	12"	1"	3"	N/A	N/A	1.5"	N/A	N/A	N/A	N/A	N/A	N/A	58.5"
CG-4	2	4	48"	6"	12"	1"	3"	N/A	N/A	1.5"	N/A	N/A	N/A	N/A	N/A	N/A	46.5"
CG-3	2	4	36"	6"	12"	1"	3"	N/A	N/A	1.5"	N/A	N/A	N/A	N/A	N/A	N/A	34.5"

45° Corner Options	
CG-R	Right hand, 5 foot long, 45 degree outside
CG-L	Left hand, 5 foot long, 45 degree outside
CG-IC	45 degree inside corner adapter
CG-OC	45 degree outside corner adapter

Corner Adapter Dimensions			
P	Q	R	S
Overall with one CG-OC	Overall with two CG-OC	Overall with one CG-IC	Overall with two CG-IC
A + 4.25"	A + 6"	A + 4"	A + 5.75"

## Floor Mounted Barrier Equipment Specification

Once you have measured the overall length of the area to be protected, you should divide length of area by length of guards. It is recommended to use as many of the longest guards evenly as possible and still protect the designated area. The reason for using the longest guard possible in even numbers is both for esthetic and economic considerations.

The longer the section, the more coverage you receive, which in turn gives you maximum protection for the most economical price. Standard sections are 3' to 10' long and available in 1' increments..