

ERGO-LIFT

MANUAL SKID LIFTER/ELECTRIC SKID LIFTER

COMFORT NEVER WORKED SO HARD

With its portable, ergonomic load positioning and load lifting, the Ergo-Lift helps you to work ergonomically and comfortably. Whether you prefer the electric or manual truck, each one is compatible with open bottom pallets/skids so your workflow keeps moving.

- » Both models come with a quick-lift feature to reduce pump strokes
- » The electric model has a push button operated lift.
- » The electric model can easily maneuver in a lowered position and lock itself in place to remain stationary. It also comes with a deep cycle battery and built in charger.



LIFFRITE
KEEPS YOU MOVING

ERGO-LIFT

MANUAL SKID LIFTER/ELECTRIC SKID LIFTER

FOR ORDERS OR INQUIRIES CALL 1.800.558.6012 OR EMAIL HPTORDERS@LIFTRITE.COM

ERGONOMICS

Lift pallets, skids or containers 31.5 inches off the ground at the push of a button.

MAINTAINABILITY

Equipped with a stroke bypass and overload valve, you can feel confident you aren't lifting a load too heavy.

PRODUCTIVITY

The electric lift is powered by a 12V DC hydraulic power pack (electric model).



Polyurethane wheels and rollers



Tear-drop handle



Manually operated pump with quick lift



Durable powder coat paint finish

STANDARD SPECIFICATIONS:

- » Capacity: 3,000 lbs
- » Fork Length: 48 inches
- » Fork Width: 7.00 inches
- » Low Height: 3.25 inches
- » Raised Height: 31.50 inches
- » Wheel Diameter: 8.00 inches
- » Wheel Type: Polyurethane
- » Roller Diameter: 3.00 inches
- » Roller Type: Nylon

OPTIONS:

RG30M270048

- » Frame Width: 27.00 inches
- » Weight: 340 lbs

RG30M205048

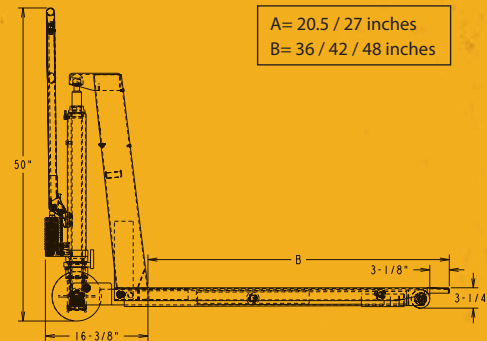
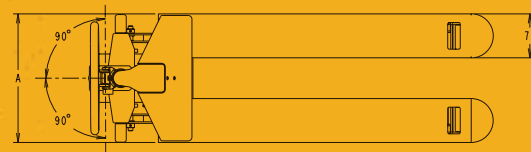
- » Frame Width: 20.50 inches
- » Weight: 330 lbs

RG30E270048

- » Frame Width: 27.00 inches
- » Weight: 440 lbs

RG30E205048

- » Frame Width: 20.50 inches
- » Weight: 430 lbs



LIFT-RITE
KEEPS YOU MOVING

©2016 Lift-Rite

PO Box 130, Greene, NY 13778-0130
www.liftrite.com | Toll free 1-800-558-6012

Due to continuous product improvement, specifications are subject to change without notice or obligation. Some systems and features shown are optional at extra cost. Lift-Rite is a U.S. trademark of Lift-Rite.