



## HANDLE-IT® SA Series

Model 600  
Model 800  
Model 800XHT

### Model 850PS

Model 850PSXHT  
Model 1100AC  
Model 1200UL

3 year  
Warranty



Part Number: SWM-SA-0850PS

### Full Set of Functions & Options

250% Power Pre-Stretch Carriage

100 max average pallets per day!

### Technical Specifications

Wrap Height	86"
Turntable Diameter	59"
Max Pallet Size	48" x 80" (93" Diagonal)
Turntable Height	3"
Weight Capacity	4,400 lbs
Pre-Stretch	250% Powered
Power Supply	110V, 10 Amp
Total Machine Footprint	93" long x 60" wide
Machine Weight	600 lbs
Turntable Speed	13 RPM Max

## Handle-It® Model 850PS

The Handle-It® Model 850PS offers top-of-the-line functions and features at a great price. It is ideal for those who are looking for an efficient machine capable of handling high volumes of pallets per day.

Standard features on the 850PS include 250% powered pre-stretch, 86" max wrap height, user-friendly control panel, electronic film tension, and many other elements cleverly designed to make this unit a must-have in any facility looking to improve and streamline their packaging operations.

# HANDLE-IT®

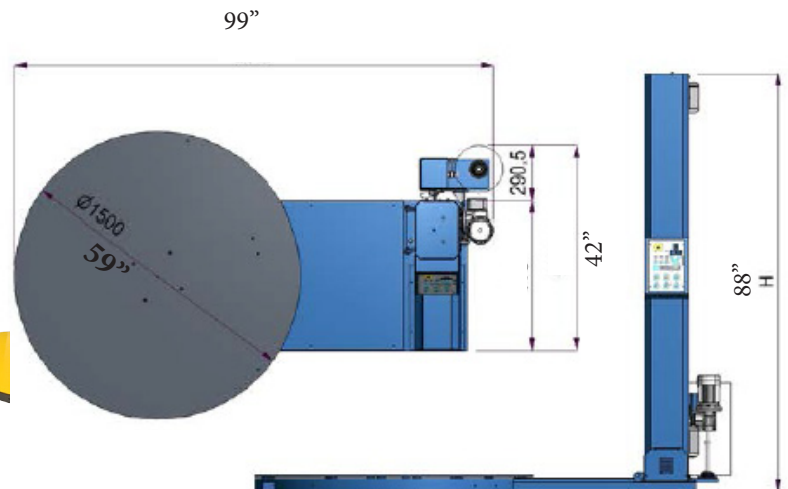
## Semi-Automatic Stretch Wrapper

### Product Specifications

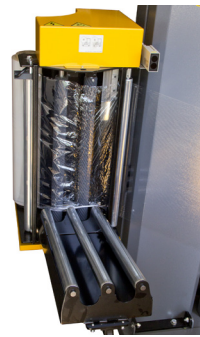
- Electronic printed circuit board for the management of the cycle
- Powered film pre-stretch for film efficiency 250%
- Frequency controller for turntable speed adjustment (from 3 to 13 RpM)
- Frequency controller for carriage speed adjustment (speed going up and speed going down can be set differently)
- Turntable size 59"
- Maximum wrapping height: 86"
- Maximum size of the pallet: 48" x 80" (93" Diagonal)
- Maximum loading weight: 4400lbs
- Electromagnetic brake for film stretching
- Photocell for pallet height detection
- Safety stop at the base of the carriage
- Stop at 0 position
- Power board IP54
- 4 digit display
- 2 access keys (including lock mode)
- Many parameters available at upper password level
- Reinforcing operation
- 3 working cycles: ascent/descent; topsheet; only ascent
- 9 wrap programs can be saved by the customer
- 9 additional recordable playback cycles can be saved
- 3 year warranty

### Available Options

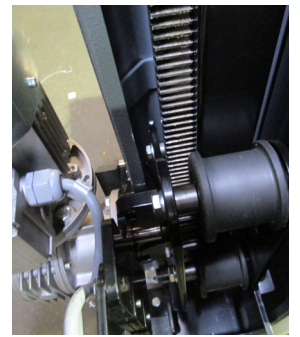
- Integrated Scale
- Loading Ramp
- Photocell for Dark Loads
- Extended mast 98"



**Adjustable parameters by the control panel:** cycle selection, bottom turns, top turns, rotation speed, carriage speed going up, carriage speed going down, film tension.



**Power pre-stretch film carriage (250%)** for greatly improved film efficiency



**Rack & Pinion carriage drive system** for added reliability