



## HANDLE-IT® SA Series

Model 600  
Model 800  
Model 800XHT  
Model 850PS

### Model 850PS XHT

Model 1100AC  
Model 1200UL



3 year  
Warranty

Part Number: SWM-SA-850PS XHT

### Full Set of Functions & Options

250% Power Pre-Stretch Carriage

98" max wrap height!

100 max average pallets per day!

### Technical Specifications

Wrap Height	98"
Turntable Diameter	59"
Max Pallet Size	48" x 80" (93" Diagonal)
Turntable Height	3"
Weight Capacity	4,400 lbs
Pre-Stretch	250% Powered
Power Supply	110V, 10 Amp
Total Machine Footprint	93" long x 60" wide
Machine Weight	600 lbs
Turntable Speed	13 RPM

## Handle-It® Model 850PS XHT

The Handle-It® Model 850PS XHT offers top-of-the-line functions and features at a great price. It is ideal for those who are looking for an efficient machine capable of handling high volumes of pallets per day.

Standard features on the 850PS XHT include 250% powered pre-stretch, 98" max wrap height, user-friendly control panel, electronic film tension, and many other elements cleverly designed to make this unit a must-have in any facility looking to improve and streamline their packaging operations.

# HANDLE-IT®

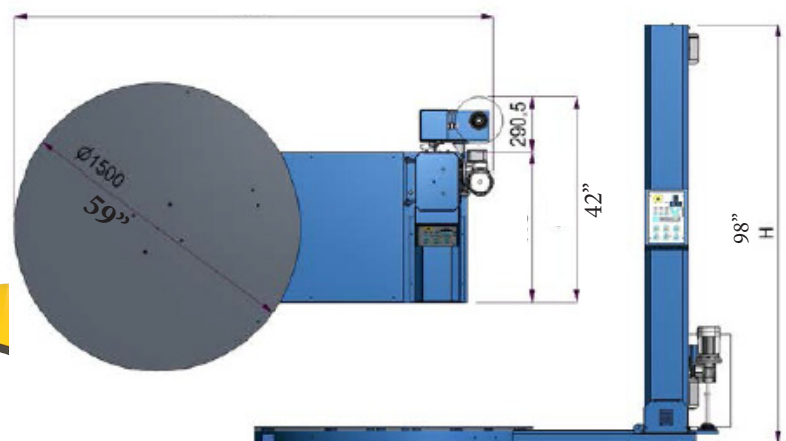
## Semi-Automatic Stretch Wrapper

### Product Specifications

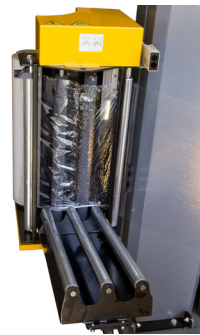
- Electronic printed circuit board for the management of the cycle
- Powered film pre-stretch for film efficiency 250%
- Frequency controller for turntable speed adjustment (from 3 to 13 RpM)
- Frequency controller for carriage speed adjustment (speed going up and speed going down can be set differently)
- Turntable size 59"
- Maximum wrapping height: 98"
- Maximum size of the pallet: 48" x 80" (93" Diagonal)
- Maximum loading weight: 4400lbs
- Electromagnetic brake for film stretching
- Photocell for pallet height detection
- Safety stop at the base of the carriage
- Stop at 0 position
- Power board IP54
- 4 digit display
- 2 access keys (including lock mode)
- Many parameters available at upper password level
- Reinforcing operation
- 3 working cycles: ascent/descent; topsheet; only ascent
- 9 wrap programs can be saved by the customer
- 9 additional recordable playback cycles can be saved
- 3 year warranty

### Available Options

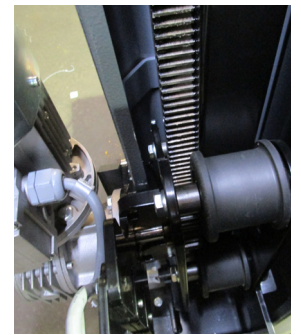
- Integrated Scale
- Loading Ramp
- Photocell for Dark Loads



**Adjustable parameters by the control panel:** cycle selection, bottom turns, top turns, rotation speed, carriage speed going up, carriage speed going down, film tension.



**Power pre-stretch film carriage (250%)** for greatly improved film efficiency



**Rack & Pinion carriage drive system** for added reliability