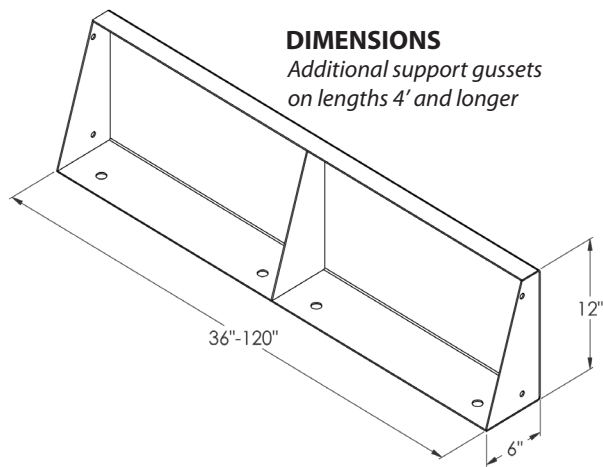


Floor Mounted Barriers

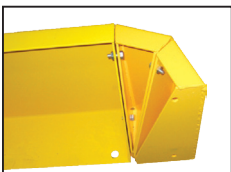
- Constructed of sturdy 11 gauge steel, formed into 12" tall x 6" deep barriers
- Side gussets on all units and support gussets on lengths 4' to 10'
- Anchor bolts and connecting hardware included for each section
- Powder-coated safety yellow for high visibility

Areas for install

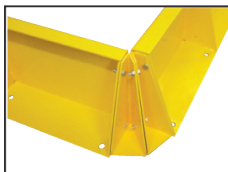
Conveyor systems, machinery, production lines, self-standing equipment, mezzanines, and rack storage. Also works well as a pallet backstop.



FLOOR MOUNTED BARRIER OPTIONS



Outside Corner Adapter



Inside Corner Adapter

Model Number	Description	Overall Length (in.)	No. of Gussets	Weight (lbs)
CG-3	3' Long Barrier	36"	2	27
CG-4	4' Long Barrier	48"	3	37
CG-5	5' Long Barrier	60"	4	46
CG-6	6' Long Barrier	72"	5	55
CG-7	7' Long Barrier	84"	5	63
CG-8	8' Long Barrier	96"	5	71
CG-9	9' Long Barrier	108"	5	79
CG-10	10' Long Barrier	120"	6	89
CG-OC	45° Outside Corner Adapter	n/a	n/a	8
CG-IC	45° Inside Corner Adapter	n/a	n/a	5

**suggested 3/4" anchoring wedge bolts and connecting hardware included.*